



KNAUFCEILING
Solutions

DATA SHEET

HERADESIGN®

Installation guidelines System C2.1 ball impact resistant



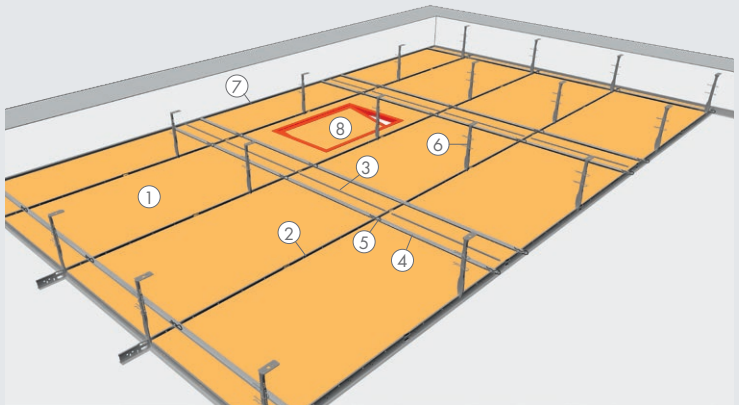
Installation guidelines for the ball impact resistant installation of HERADESIGN® acoustic panels with exposed T-35 grid system, class 1A according to EN13964 Annex D.

[KNAUFCEILINGSOLUTIONS.COM](https://www.knaufceiling.com)

YOUR **CEILING**
OUR **SOLUTIONS**

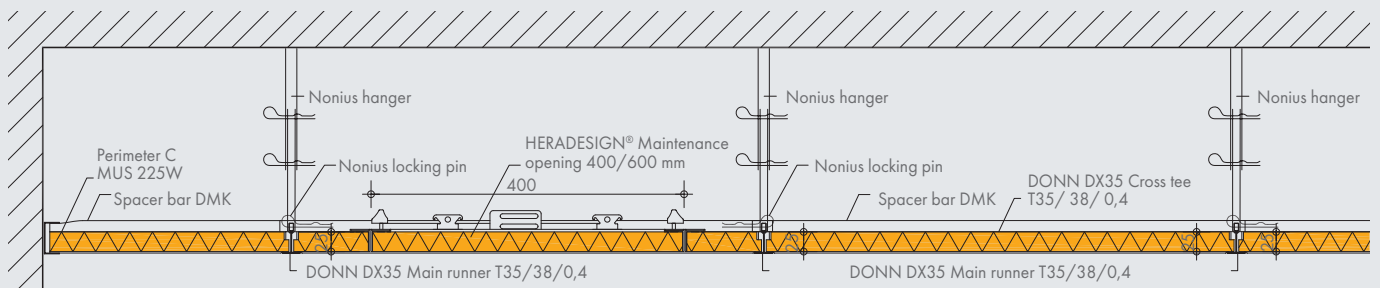
HERADESIGN® Installation guidelines

System C2.1 ball impact resistant

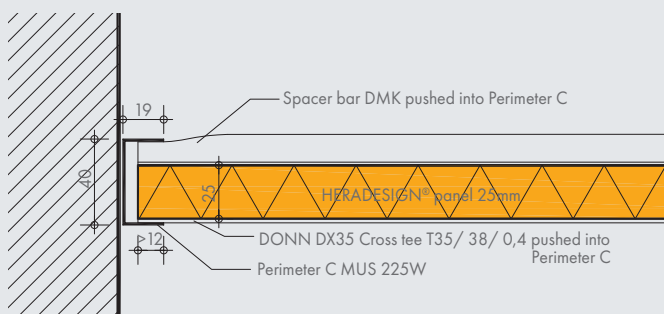
| | |
|---------------------------|--|
| System description | Ball impact resistant T-grid system, class 1A according to EN 13964 Annex D. Exposed grid system consisting of T-35 main runner and cross tee with Nonius hangers. Lay-in panels secured with spacer bars DMK-60 and locking pins through the bulb holes of the main runners. |
| System components | <ul style="list-style-type: none"> ① HERADESIGN® 25mm ② Main runner T 35/38/0,4 ③ Short cross tee T 35/38/0,4 ④ Spacer bar DMK-60 ⑤ Nonius locking pin ⑥ Nonius hanger ⑦ Perimeter C ⑧ Panel with ball impact resistant HERADESIGN® Maintenance opening - 600 x 400mm  |

| Material requirements per m ² | System component | Description | | Unit | 1200 x 600 |
|--|---|---|--|---------------------|---------------------|
| | ① | HERADESIGN® 25mm | Superfine, Superfine A2 Fine, Fine A2, Micro Edge: SK-04 | - | Pcs./m ² |
| ② | DONN DX35 Main runner T35/38/0,4 Punch distance 55mm | L= 3700mm | DX 35 XH 370W | Lin./m ² | 1,67 |
| ③ | DONN DX35 Cross tee T 35/38/0,4 | L= 600mm | DX 35 XH 60W | Lin./m ² | 0,83 |
| ④ | Spacer bar DMK | L= 600mm | DMK-60 | Pcs./m ² | 2,78 |
| ⑤ | Nonius locking pin | 2 pieces per hanger | DPK 607 | Lin./m ² | 6,50 |
| ⑥ | Nonius hanger | Upper part (different lengths) | - | Pcs./m ² | 1,85 |
| | | Lower part | N228 | | |
| ⑦ | Perimeter C | Perimeter C 20 / 40 / 20mm L= 3000mm | MUS 225W | Lin./m ² | 0,60 |
| ⑧ | HERADESIGN® Maintenance opening | 600 x 400 Already built into panel | - | Pcs./area | 1 |

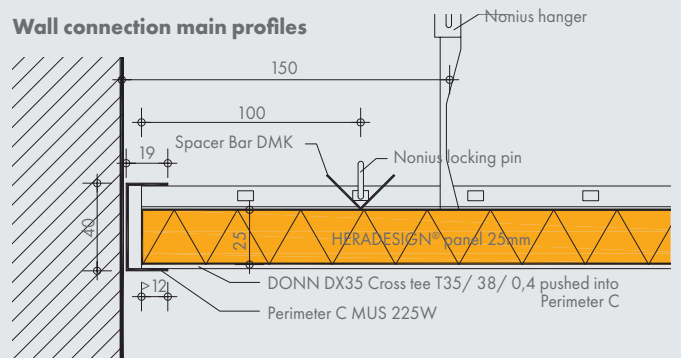
Section



Wall connection cross profiles



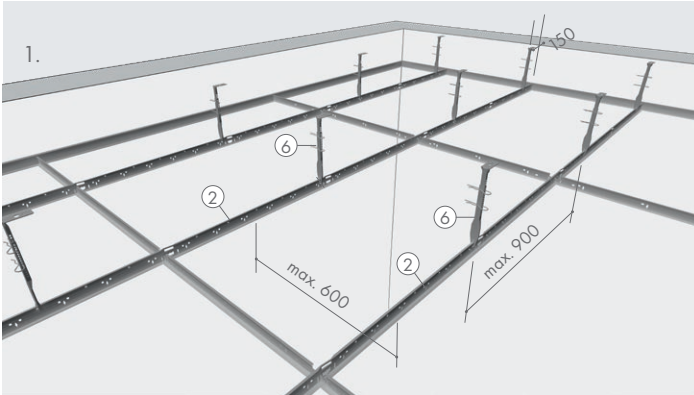
Wall connection main profiles



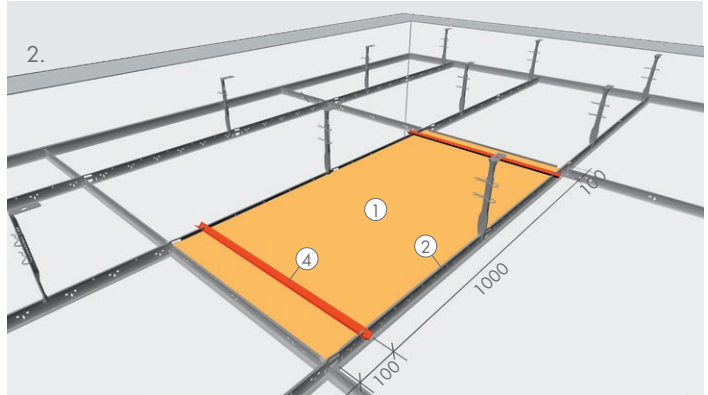
HERADESIGN® Installation guidelines

System C2.1 ball impact resistant

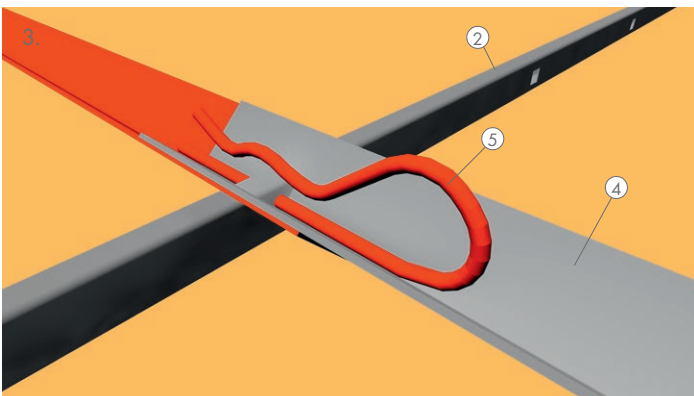
The following installation guidelines are based on HERADESIGN® acoustic panels with the dimensions 1200 x 600 mm. These guidelines can be used accordingly for other sizes. The general installation guidelines for system C 2.1 must also be observed.



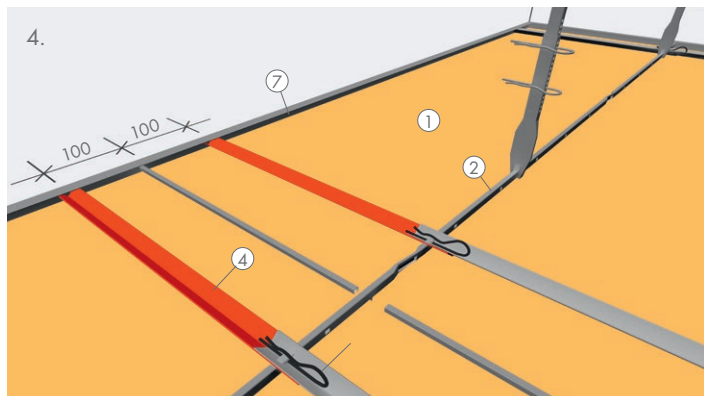
1. Install the T-grid modules (System C 2.1) according to our installation guidelines. The maximum spacing of main profiles (2) is 600mm. The maximum spacing of hangers (6) is 900mm. The distance between hanger and perimeter is max. 150mm.



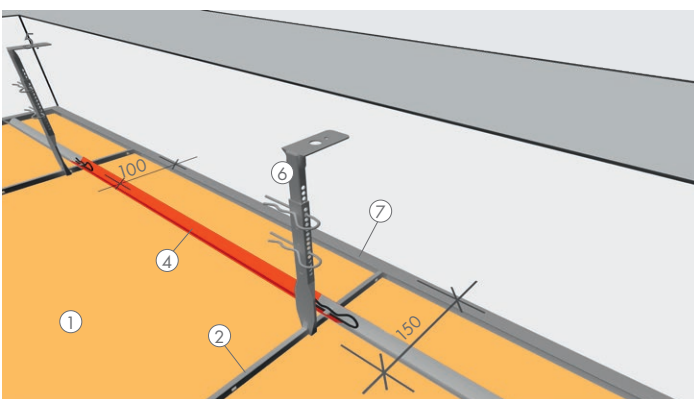
2. The inserted HERADESIGN® panels (1) are fixed on the reverse side using two spacer bars DMK (4) per panel. Distance from panel perimeter min. 100mm and max. 200mm. The spacer bars DMK should be placed directly above the bulb holes of the main profiles (2).



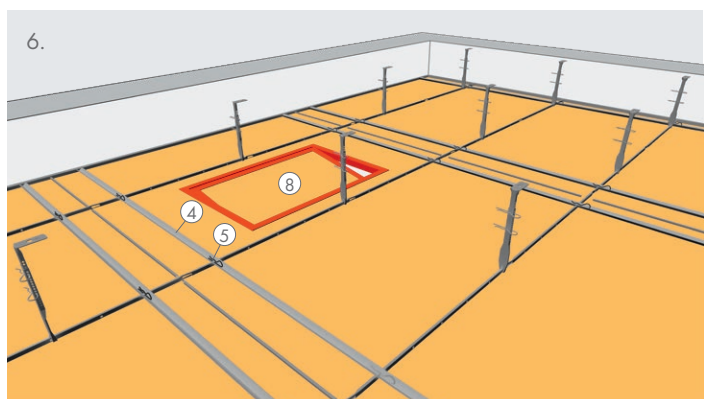
3. Two spacer bars DMK (4) one on top of the other are secured with a Nonius locking pin (5) through the bulb holes of the main runner (2).



4. **Securing the perimeter panels (1) parallel to the main profiles (2):** The spacer bars DMK (4) are cut to the required length and pushed into the Perimeter C (7). The spacer bar DMK must sit on at least 2/3 of the flange width of the Perimeter C. Width of the perimeter panel (1) >300mm.



5. **Securing the perimeter panels crosswise to the main profiles:** The main runners (2) are pushed into the Perimeter C (7). Again here, the profiles must sit on at least 2/3 of the flange of the Perimeter C. The first row of spacer bars DMK (4) is placed at max. 100mm from the Perimeter C. The maximum spacing of the Nonius hangers (6) is 150mm. Length of the perimeter panel (1) >600mm.



6. The last field is installed with a HERADESIGN® Maintenance opening (8). The last spacer bars DMK (4) are installed through the access panel and fixed with Nonius locking pin (5).

Products may vary from country to country. Please contact your local sales representative. For further information and legal notice, please visit our website.