

Taller exposed 24 mm grid system for longer spanning capability - System C

Key features

- 70 mm high Main Runners enable the uptake of higher loads
- Less hangers, spans up to 2.70 m
- Fully compatible with standard DONN® DX Cross Tees

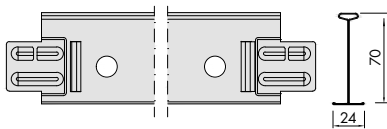
Application areas

- Circulation areas / Buildings with limited suspension points

Physical data

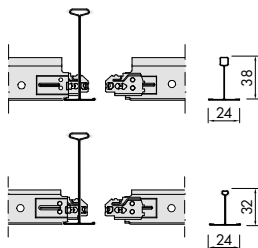
- Material: galvanised steel
- Surface finish: baked polyester paint
- Colour: all products standard in DONN® White

■ DONN® DX24 Espace | Main Runners (bulb-to-bulb connection)



Item reference	Dimensions (mm)				Content/carton		Weight/carton kg	Cartons/pallet
	Length	Width	Height	Slot centres	pcs	lm		
DXE24QG360W	3600	24	70	300	10	36.00	28.50	50
DXE24ZG312,5W	3125	24	70	625	10	31.25	30.00	50

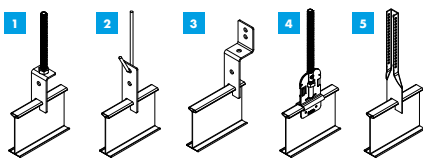
■ DONN® DX24 Espace | Cross Tees (stab system - joggled GK)



Cross Tees - Slotted

Item reference	Length	Width	Height	Slot centres	Content/carton pcs	Content/carton lm	Weight/carton kg	Cartons/pallet
DX24XH1875W	1875	24	38	312.5	20	37.50	13.70	70
DX24XH1800W	1800	24	38	300	20	36.00	13.50	70
DX24TM125W	1250	24	32	312.5	60	75.00	18.50	50
DX24TM120W	1200	24	32	300	60	72.00	18.00	75
DX24TS62,5W	625	24	25	312.5	60	37.50	8.60	150
DX24TS60W	600	24	25	300	60	36.00	8.00	150

■ DONN® DX24 Espace | Accessories



No.	Item reference	Content/carton pcs	Content/carton lm	Weight/carton kg	Description
1	PSS1	50	-	2	Threaded Rod M6 PSS1 for DXE
2	PSS1D	50	-	3	Hanger Straight for DXE
3	PSS2	50	-	2	Wall Connector for DXE
4	PSS3	50	-	3	Hanger Threaded Rod M6 for DXE
5	Nº 240	100	-	5	Hang Nonius Bottom for Espace

Section Drawings

■ DONN® DX24 Espace | Main Runners (bulb-to-bulb connection)

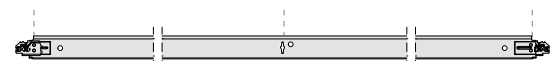


Length	Number of Runners	Slot Centres	End Length
3600	150	11 x 300	150
3125	312.5	4 x 625	312.5

■ DONN® DX24 Espace | Cross Tees (stab system - joggled GK)

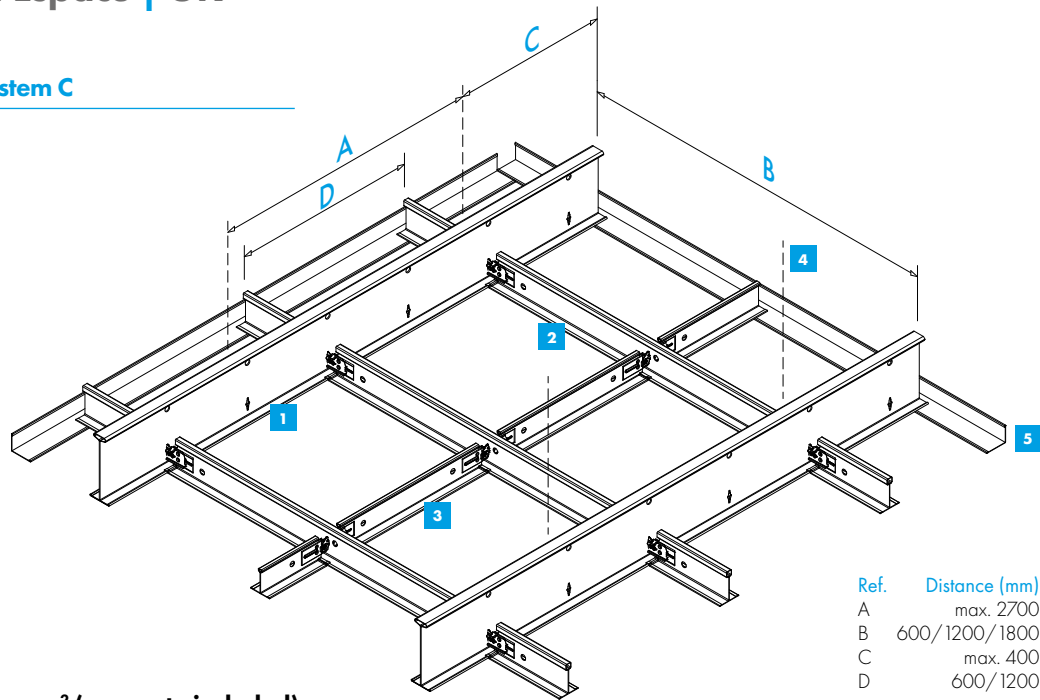


Length	Number of Tees	Slot Centres	End Length
1875	312.5	4 x 312.5	312.5
1800	300	4 x 300	300
1250	312.5	2 x 312.5	312.5
1200	300	2 x 300	300



Length	Number of Tees	Slot Centres	End Length
625	312.5	312.5	312.5
600	300	300	300

System Drawing - System C



Ref.	Distance (mm)
A	max. 2700
B	600/1200/1800
C	max. 400
D	600/1200

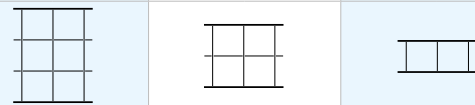
■ **Material required per m² (no waste included)**

No.	Description	Item reference	Module 600 x 600	Module 625 x 625	Module 1200 x 600	Module 1250 x 625
1	Main Runner	DXE24QG360W DXE24ZG312,5W	0.84 lm	0.80 lm	0.84 lm	0.80 lm
2	Long Cross Tee	DX24TM120W DX24TM125W	1.67 lm	1.60 lm	1.67 lm	1.60 lm
3	Short Cross Tee	DX24TS60W DX24TS62,5W	0.84 lm	0.80 lm	-	-
4	Hanger	-	0.70 pcs	0.64 pcs	0.70 pcs	0.64 pcs
	Retaining Clip	-	5.56 pcs	5.56 pcs	5.56 pcs	5.56 pcs
	Tiles	-	2.78 pcs	2.56 pcs	1.39 pcs	1.28 pcs
5	Perimeter Trim	-	Dependent on room dimensions (approx. 0.6 lm/m ²)			

■ **Load Table | Maximum permissible weight (kg/m²)**

Main Runner distances Hanger distance A (mm)	1800 mm	1875 mm	1200 mm	1250 mm	600 mm	625 mm
	Module 600 x 600	Module 625 x 625	Module 600x600, 1200x600	Module 625x625, 1250x625	Module 600x600, 1200x600	Module 625x625, 1250x625
1500	5.6	4.6	16.6	14.9	25.0	25.0
1800	5.2	4.4	13.8	12.0	25.0	25.0
2100	3.8	3.2	9.4	8.4	25.0	24.6
2400	-	-	5.1	4.7	13.7	13.0
2700	-	-	3.3	3.0	8.2	7.7

Note:
The load per m² must be evenly distributed (no extra point loads).
After loading, the deflection will remain within the permitted deflection according to class 1 (L/500) of EN 13964, provided the grid is laid out as shown.



For other grid layouts, load capacities or hanger distances, please contact Knauf Ceiling Solutions.

Fire reaction		Euroclass A1 as per EN 13501-1	RUS KMO (NG) / KM1 (G1, V1, D1, T1) as per 123-FZ
Indoor air quality	 A+	 ISO 3	
Cleanability			
Sustainability	 25%		
Design options			

All measurements in millimetres. All sizes are nominal.
Cross Tee alignment is achieved by locating the tees to the left-hand side of the adjoining section.

Products may vary from country to country. Please contact your local sales representative.
For further information and legal notice, please visit our website.
knaufceilingsolutions.com