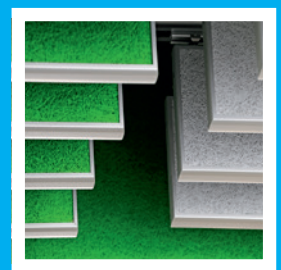




**KNAUF**CEILING  
Solutions

## DATASHEET

# HERADESIGN® Baffle Line



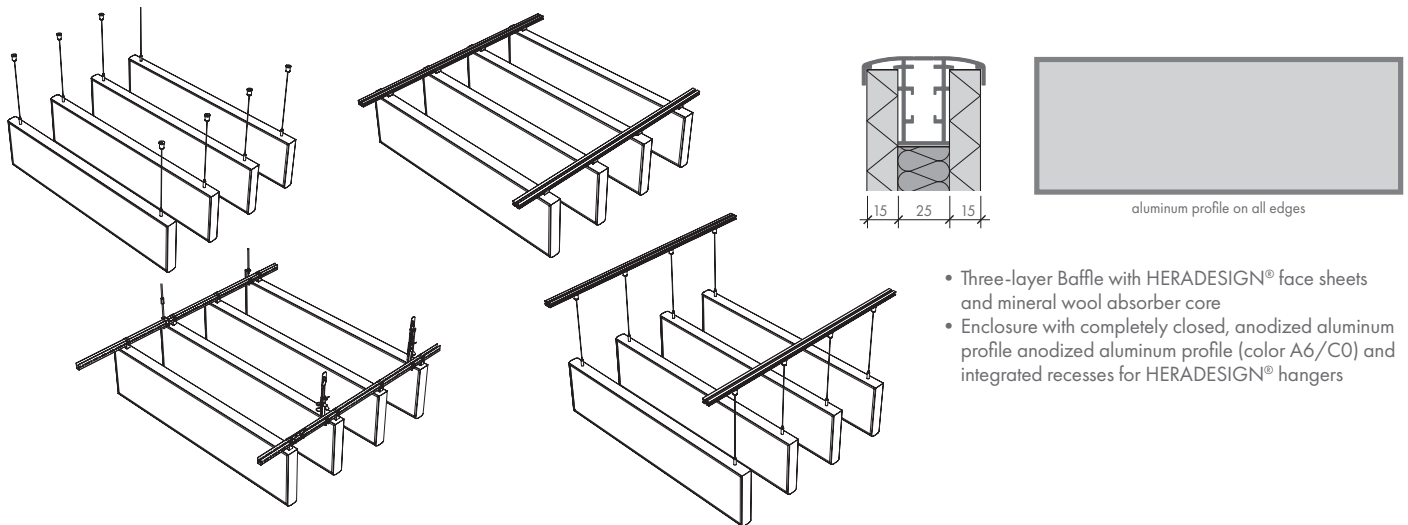
HERADESIGN® Baffle Line is a range of high performance, wood wool acoustical Baffles, available in a variety of surfaces and dimensions.

- Baffles are available with a HERADESIGN® Fine and Superfine surface texture
- High sound absorption performance
- Three-layer Baffle with HERADESIGN® cover layers and mineral wool absorbent core
- Available with a 2500mm maximum length and 200mm minimum height.  
Special sizes on request, depending on quantity
- Various pre-assembled HERADESIGN® hangers can be selected for extra flexibility
- Framing with completely closed anodised aluminium profile and integrated cut-outs for HERADESIGN® hangers
- Available in Vario Design and RAL and NCS colours for HERADESIGN® cover layers

[KNAUFCEILINGSOLUTIONS.COM](http://KNAUFCEILINGSOLUTIONS.COM)

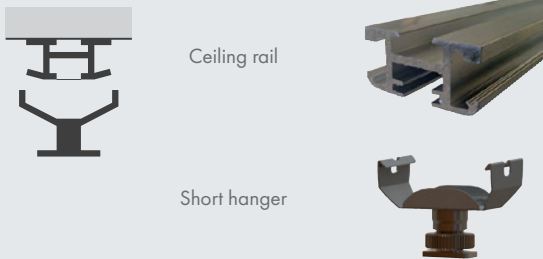
YOUR **CEILING**  
OUR **SOLUTIONS**

<b>Surface</b>		HERADESIGN® Fine, Fine A2		HERADESIGN® Superfine, Superfine A2							
<b>Thickness</b>		55mm									
<b>Standard dimensions and weights</b>		Format (mm)	Weight (kg/Baffle)								
			HERADESIGN® Fine	HERADESIGN® Fine A2	HERADESIGN® Superfine	HERADESIGN® Superfine A2					
		600 x 300	4.5	6.1	4.4	5.8					
		1200 x 300	8.7	12.0	8.4	11.3					
		1800 x 300	12.9	17.8	12.5	16.8					
		600 x 600	8.3	11.6	8.0	10.9					
		1200 x 600	15.9	22.5	15.3	21.1					
1800 x 600	23.4	33.5	22.6	31.4							
Additional dimensions available on request.											
<b>System</b>		Hanging wire kit (with/without ceiling rail) option Short hanger kit with ceiling rail option U-Profile grouping system									
<b>Fire reaction</b>		Euroclass <b>B-s1,d0</b> and <b>A2-s1,d0</b> according EN 13501-1									
<b>Sound absorption</b>		HERADESIGN® Baffle Line Fine: $\alpha_w$ up to <b>0.75</b> / NRC up to <b>0.70</b> HERADESIGN® Baffle Line Superfine: $\alpha_w$ up to <b>0.80</b> / NRC up to <b>0.75</b> HERADESIGN® Baffle Line Superfine A2: $\alpha_w$ up to <b>0.75</b> / NRC up to <b>0.75</b>									
<b>Humidity resistance</b>		Not suitable for indoor swimming pools, underground garages and outdoor areas.									
<b>Cleanability</b>											
<b>Colours</b>		Standard colours		Vario Design colours							
		White Similar to RAL 9010	Beige Natural tone 13	Granite	Steel	Green Marble	Copper	Oak	Brass	Sandstone	Concrete
<ul style="list-style-type: none"> <li>• Other colours from popular RAL and NCS colour systems are available.</li> <li>• Deviations in colour and visual appearance may occur due to the rough fibre and panel surface.</li> </ul>											
<b>Sustainability</b>											



**Short Hanger**

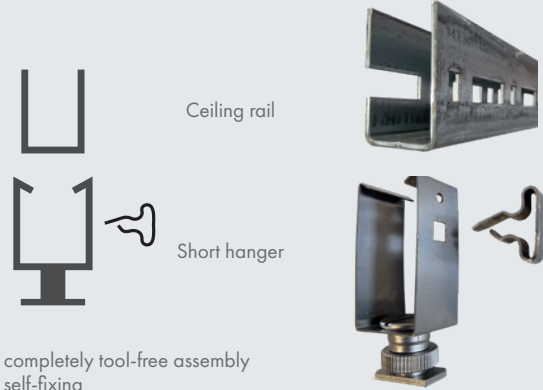
Pre-assembled hanger with integrated torsion protection and easy-to-click metal clamps for suspending HERADESIGN® Baffles Element Profil from the ceiling fastening or guide rail.



- so tools required for installation
- self-fastening
- quick and simple installation at any location
- fastest possible installation thanks to easy-to-click function
- suspension height = 42.5mm (top edge of ceiling rail to top edge of Baffle)
- at least 2 hangers per Baffle
- max. working load per hanger 300 N/30 kg
- max. breaking strength per hanger 1500 N/150 kg

**Short hanger for U-profiles (Grouping option)**

Pre-assembled hanger with integrated anti-twist device and easy-to-click metal clip for suspending HERADESIGN® Baffle Element Profil from the U-profile with plug-in clip.



- completely tool-free assembly
- self-fixing
- easy and fast installation at any place
- quickest possible installation due to the easy-to-click function
- min. 2 hangers per Baffle
- max. working load per hanger 300 N/30 kg
- max. breaking load per hanger 1500 N/150 kg

**Wire Hanging Kit**

Pre-assembled hanger with integrated torsion protection in hanger and Baffle base for suspending HERADESIGN® Baffles Element Profil from the ceiling fastening or guide rail.



- no tools required for installation
- precise, continuous height adjustment possible
- wire Ø 1.2mm, 7 x 7 galvanized steel, length 500mm nominal strength: 2400 N/mm<sup>2</sup>
- side wire guide
- surface of hanger and Baffle base: nickel matt
- max. suspension height = 450mm (top edge of ceiling rail to top edge of Baffle)
- at least 2 hangers per Baffle
- max. working load per hanger 160 N/16 kg
- max. breaking strength per hanger 800 N/80 kg

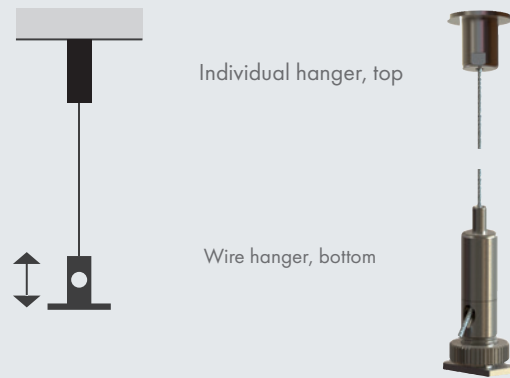
**Single hanger**

Pre-assembled hanger with integrated anti-twist device in the hanger and Baffle base for suspending individual HERADESIGN® Baffle Element Profil to the ceiling or to suspended ceiling systems.

The hanger tops are fixed into the ceiling either with suitable screws and dowels or by screwing them onto an M6 screw bolt.

**Mounting note**

Fastening in the substrate must be possible with millimeter accuracy for single hangers, since the absence of the ceiling rail means that there is no horizontal adjustability.



- completely tool-free assembly
- millimeter-precise and stepless height adjustment possible
- rope Ø 1.2mm, 7 x 7 steel galvanized, length 500mm nominal strength: 2400 N/mm<sup>2</sup>
- with lateral rope rejection
- surface of hanger and Baffle base: nickel matt
- max. suspension height = 450mm (top edge of ceiling rail to top edge of Baffle)
- min. 2 hangers per Baffle
- max. working load per hanger 160 N/16 kg
- max. breaking load per hanger 800 N/80 kg

**Number of hangers per Baffle**

